



### Feature :

- ◆ Duralumin panel and steel chassis
- ◆ 8.4" TFT LCD display with RTS resistive touch screen
- ◆ With 3.5" embedded Intel ULV industrial motherboard
- ◆ Support one VGA port, LCD and VGA support independent dual display
- ◆ One serial port, One Lan port; Two USB 2.0 ports
- ◆ Dimension: 245mm\*60mm\*178mm

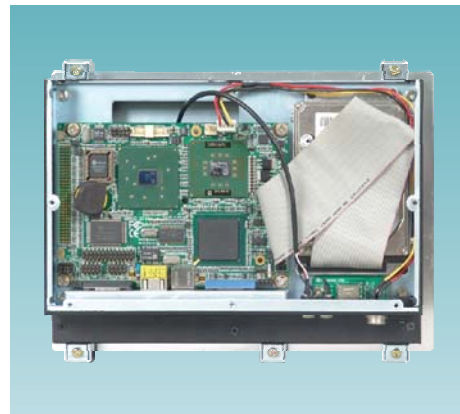
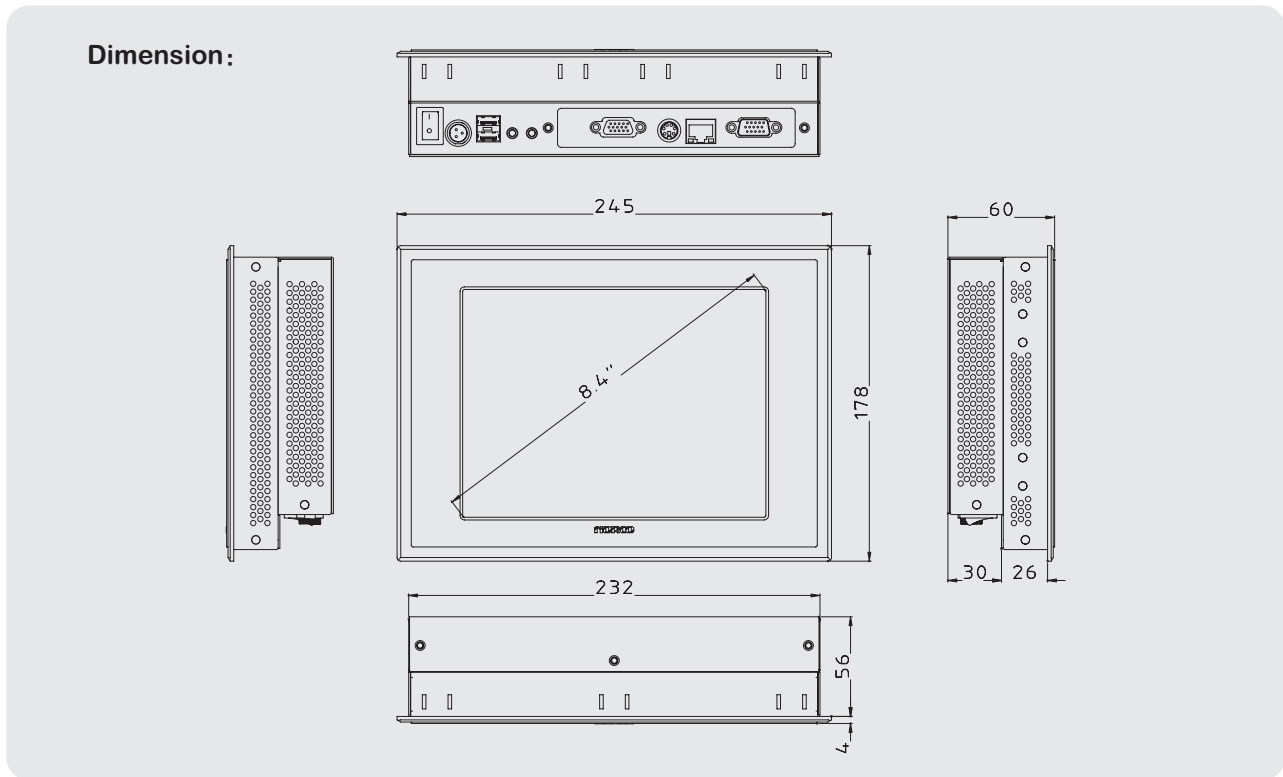
### Description:

PPC-3184 is one rackmount model panel PC, with 8.4" TFT LCD display and fanless design .It could support industry grade defence.Which support one serial port, one 10/100Mbps Lan port, two USB2.0 ports, two Audio ports and PS/2 port, one VGA port.

PPC-3184 is a competitive model on price and performance. It can be widely used in fields of Telecom, Electric Power, Multimedia, Robolization. HMI, PLC, POS, Control Terminal. Etc.

### Specification:

Main	Chassis Material	Duralumin Panel and Steel Chassis
	Display	TFT LCD 8.4" Display with touch screen
	Hard Disk Driver	One mini IDE port
	Serial port	One Serial port
	Parallel port	--
	Lan port	One RJ-45, 10/100Mbps Lan port
	VGA	One VGA port
	USB	Two USB2.0 port
	KB/MS	One PS/2 port
	Expansion slot	One Compact Flash Card Slot
	Cooling System	Two 40×40×10mm system cooling fan
	Certification	Pass 3C、CE、FCC
Mainboard	Model Number	NORCO-3730ALE ebedded ULV motherboard
	CPU	Onboard Intel ULV Celeron-M/Pentium-M porcessor
	Dimenison	145mm×102mm
Other	Power Supply	DC12V power supply
	Operate System	Windows98/2000/XP, Unix 5.0.5, RedHat 9.0, FreeBSD等
	Dimension	245mm×178mm×60mm (W×D×H)
	Working Temperature	0℃~50℃
	Storage Temperature	-40℃~60℃
	Humidity	5%~9%, 40℃ (no condensing)



### Order Information:

Model No.	8.4"LCD	Touch Screen	Hard Disk Drive	RAM
PPC-3184	√	√	40G	DDR 512MB

### Accessories:

PSU cable	Product Manual	HDD screw	Screw	Screw
One	One	6 (1/8×6 screw)	4 (M4×8)	6 (M3×6)